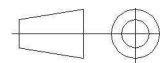
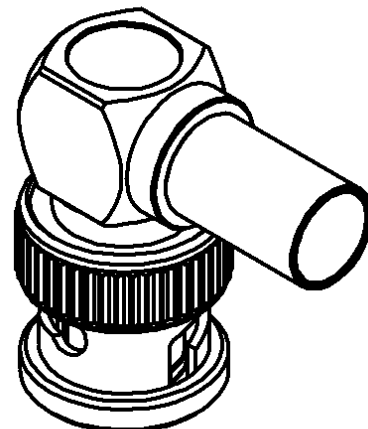
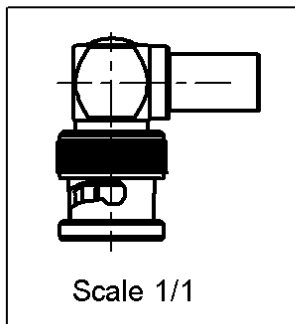
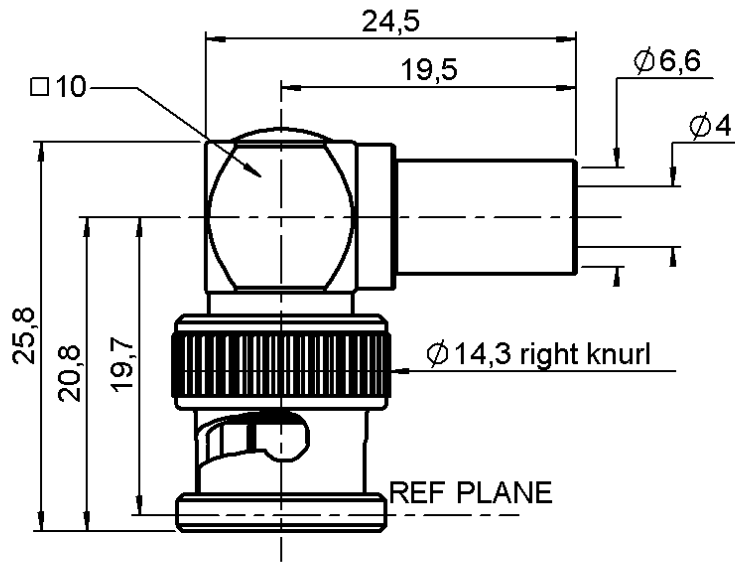


**RIGHT ANGLE PLUG CRIMP TYPE**

**R142.184.161**

**CABLE 6/75+93**

Series : **BNC 75-COM**



All dimensions are in mm.

| COMPONENTS     | MATERIALS       | PLATINGS (µm)          |
|----------------|-----------------|------------------------|
| BODY           | BRASS           | NICKEL 2               |
| CENTER CONTACT | BRASS           | GOLD 0.2 OVER NICKEL 2 |
| OUTER CONTACT  | -               | -                      |
| INSULATOR      | POLYPROPYLENE   | -                      |
| GASKET         | SILICONE RUBBER | -                      |
| OTHERS PARTS   | DIE-CAST        | NICKEL 2 OVER COPPER 8 |
| -              | -               | -                      |
| -              | -               | -                      |

Issue : 0808 B

In the effort to improve our products, we reserve the right to make changes judged to be necessary.



**RIGHT ANGLE PLUG CRIMP TYPE**

**R142.184.161**

**CABLE 6/75+93**

Series : **BNC 75-COM**

**PACKAGING**

| Standard   | Unit              | Other             |
|------------|-------------------|-------------------|
| <b>100</b> | <b>'W' option</b> | <b>Contact us</b> |

**SPECIFICATION**

**ELECTRICAL CHARACTERISTICS**

|                                 |               |                             |
|---------------------------------|---------------|-----------------------------|
| Impedance                       |               | <b>75</b> Ω                 |
| Frequency                       |               | <b>0-1.5</b> GHz            |
| VSWR                            | <b>NA +</b>   | <b>0,0000</b> x F(GHz) Maxi |
| Insertion loss                  |               | <b>NA</b> √F(GHz) dB Maxi   |
| RF leakage                      | <b>- ( NA</b> | <b>- F(GHz))</b> dB Maxi    |
| Voltage rating                  |               | <b>500</b> Veff Maxi        |
| Dielectric withstanding voltage |               | <b>1500</b> Veff mini       |
| Insulation resistance           |               | <b>5000</b> MΩ mini         |

**CABLE ASSEMBLY**

| Stripping | a    | b    | c    | d    | e    | f    |
|-----------|------|------|------|------|------|------|
| mm        | 2,00 | 7,50 | 16,0 | 0,00 | 14,0 | 0,00 |

Assembly instruction : **Crimp 05**

Recommended cable(s)  
KX 6A  
RG 59

Characteristics indicated on this data sheet are those that can be achieved with the highest performance cable. Intrinsic limitations of the cable may diminish the performance of the assembly

Cable retention

- pull off **136** N mini  
- torque **NA** N.cm

**MECHANICAL CHARACTERISTICS**

|                            |           |           |
|----------------------------|-----------|-----------|
| Center contact retention   |           |           |
| Axial force – Mating end   | <b>10</b> | N mini    |
| Axial force – Opposite end | <b>10</b> | N mini    |
| Torque                     | <b>NA</b> | N.cm mini |

**TOOLING**

| Part Number  | Description                  | Hexagon |
|--------------|------------------------------|---------|
| .            | .                            | .       |
| R282.235.013 | CRIMPING DIES                | 6.48    |
| R282.223.000 | CRIMPING TOOL                | 6.48    |
| R282.293.000 | CRIMPING TOOL<br>M22520/5-01 | -       |

|                    |               |      |
|--------------------|---------------|------|
| Recommended torque |               |      |
| Mating             | <b>NA</b>     | N.cm |
| Panel nut          | <b>NA</b>     | N.cm |
| Clamp nut          | <b>NA</b>     | N.cm |
| A/F clamp nut      | <b>0,0000</b> | mm   |

|             |                |             |
|-------------|----------------|-------------|
| Mating life | <b>100</b>     | Cycles mini |
| Weight      | <b>14,8700</b> | g           |

**OTHERS CHARACTERISTICS**

**ENVIRONMENTAL**

|                       |                |           |
|-----------------------|----------------|-----------|
| Operating temperature | <b>-35/+70</b> | ° C       |
| Hermetic seal         | <b>NA</b>      | Atm.cm3/s |
| Panel leakage         | <b>NA</b>      |           |

Issue : **0808 B**

In the effort to improve our products, we reserve the right to make changes judged to be necessary.

